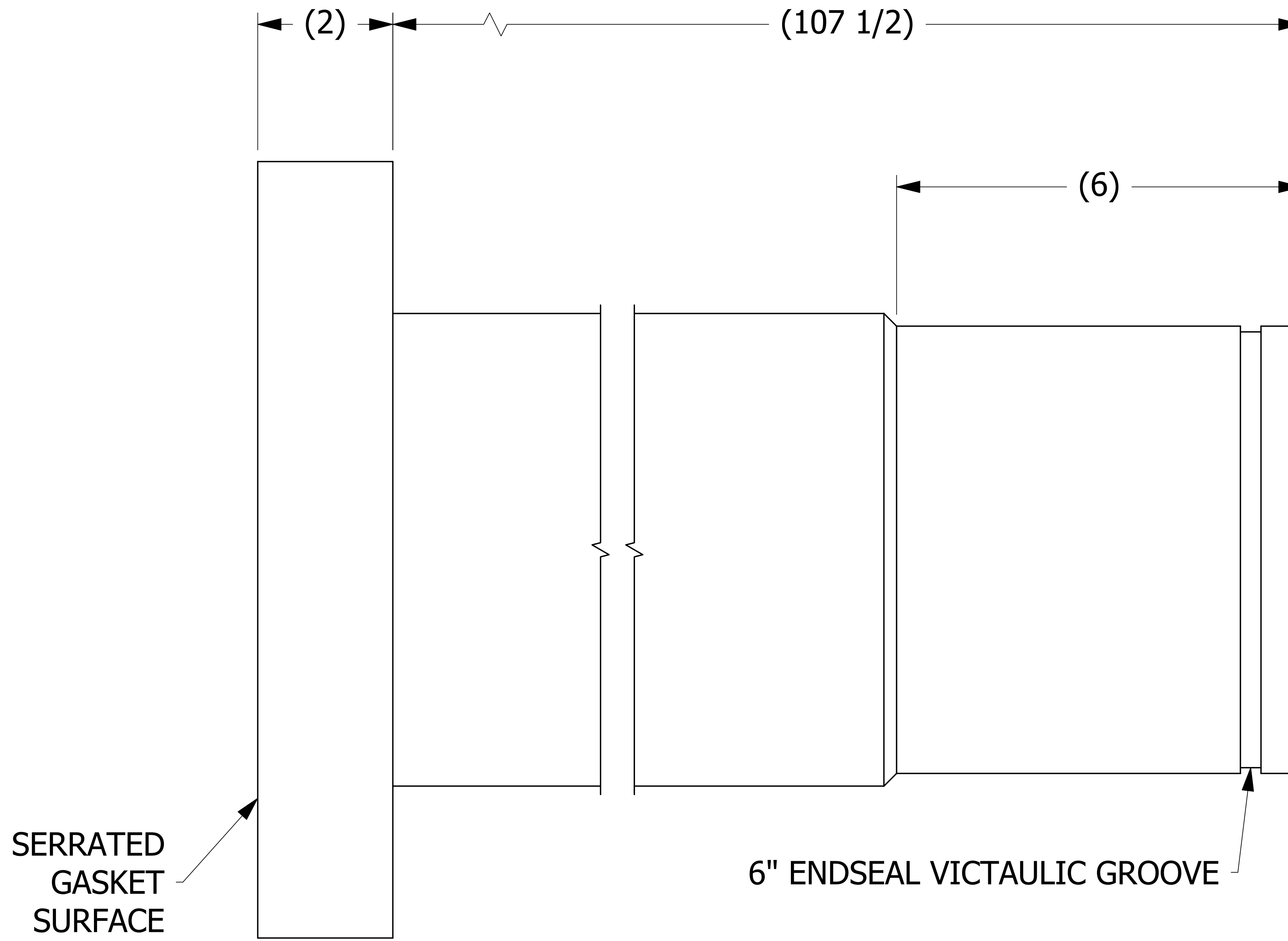
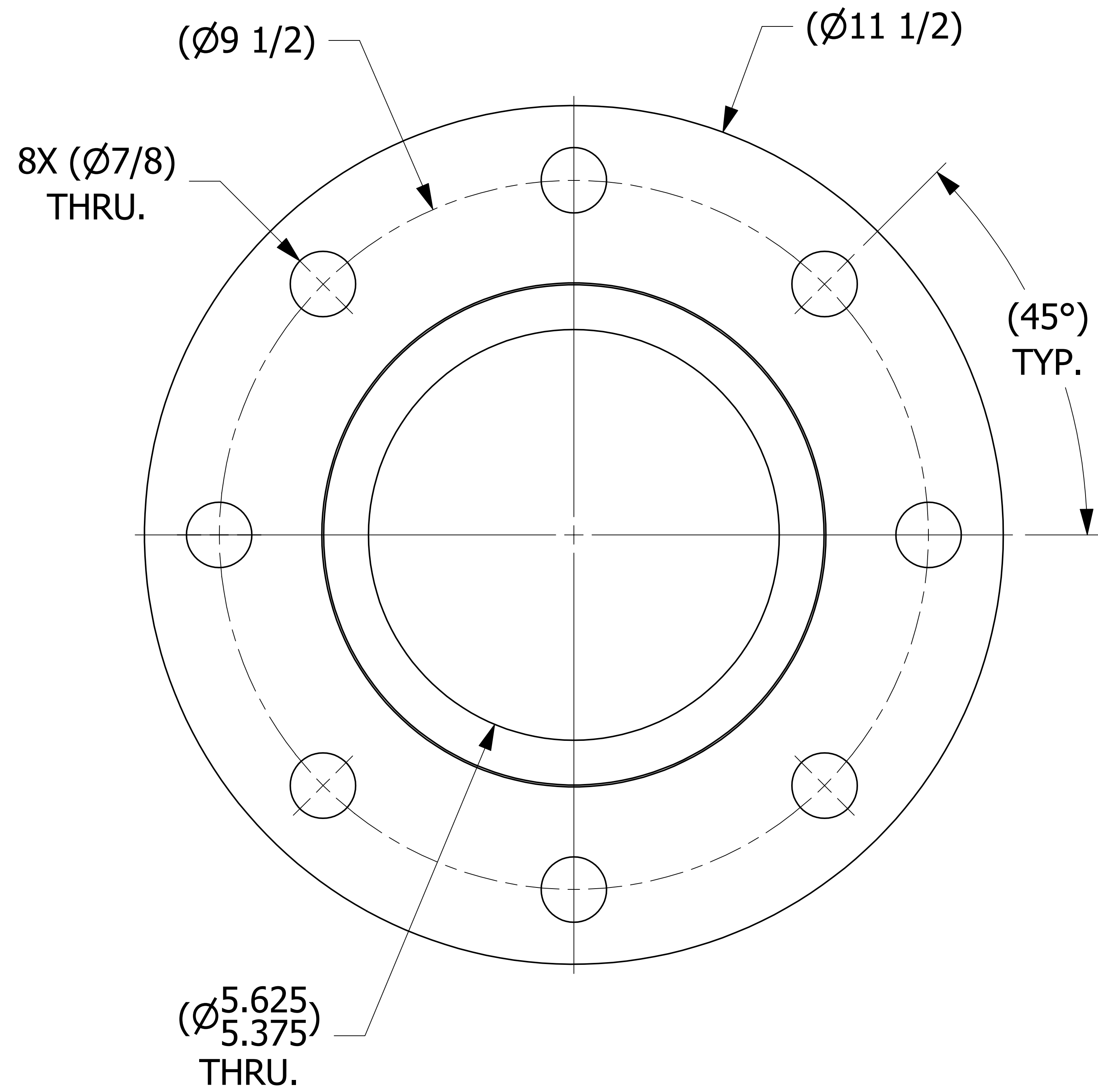


SALES DRAWING

SALES DRAWING



NOTE:
SOLD TO WORLEY WELDING ONLY.

G	GDS	9-26-11	REPLACED C26802 & B27209 WITH B31621
F	GDS	7-29-11	NEW MARKING PRESSURE NOTE
E	REH	11-17-10	BOLT HOLE DIAMETER WAS 3/4
D	VD	09-09-10	REPLACED HS6DTFL W/ HS6FLDGSH. REVISED DESCRIPTION, PART # AND NOTES.
C	WRB	5-19-10	REPLACED B26865 WITH B27209
B	CHL	11-4-09	B26865 LENGTH WAS 9"
A	PJG	9-28-09	NEW PART ADDED TO SYSTEM
REV	BY	DATE	DESCRIPTION

UNLESS OTHERWISE SPECIFIED DIMENSIONAL TOLERANCES FRACTIONAL: $\pm 1/16$ X.XX: $\pm .03$ X.XXX: $\pm .015$ ANGULAR: $\pm 1^\circ$ DEBURR ALL SHARP EDGES. ALL MACHINED SURFACES TO HAVE A 125 RMS FINISH UNLESS NOTED OTHERWISE.	DRAWN BY:	CHL
	CHECKED BY:	PJG
	PROTOTYPE BY:	CHL
	PROTOTYPE DATE:	5/13/2009
THIRD ANGLE PROJECTION	APPROVED FOR PRODUCTION BY:	PJG
	PRODUCTION DATE:	9/28/2009

SALCO PRODUCTS, INC.		
PART NAME: PIPE STUB 6"		
MATERIAL: SALCO PE		
PROJECT #: 090428	SHEET #: 1 OF 1	SCALE: 1:1
DRAWING #: E26803	PART #: HS6PST1075	